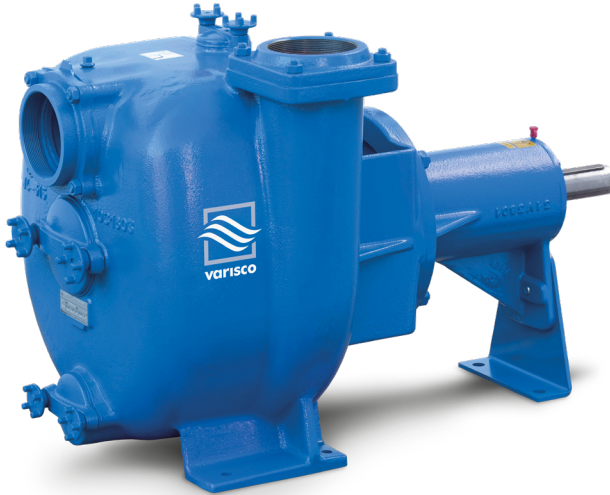


# JS 4-316 G11

Qmax 170 m<sup>3</sup>/h - 2833 l/min (748 USgpm) - Hmax 57 m (187 ft)

Code 4810066541



Indicative picture of the product

## Self-priming centrifugal bare shaft pump

### Characteristics

The J series self-priming centrifugal pumps are used in applications where a rapid priming capacity is required from demanding suction heights combined with the ability to transfer and manage polluted fluids, dirty and abrasives with suspended large diameter solids. The system is based on an inspectable pump casing which also acts as a water tank allowing a first quick priming without auxiliary systems, simplifying management of the system and reducing the time for maintenance. Within the physically permitted suction height limits, J pumps are a more comfortable and reliable solution than submersible pumps and vertical submersed impeller pumps.

### Applications

#### Industry:

clean, dirty, sandy, muddy, neutral, alkaline, acidic liquids; low viscous petroleum products, solvents even if dirty; milk of lime, caustic soda; washing, cooling, recirculation, smoke scrubbing.

#### Treatment:

pumping polluted corrosive wastewater containing sand, mud or solids in suspension; dosing neutralizing liquids; pumping out settled sludge.

#### Naval:

loading and unloading; bilge pumping; washing, fire-fighting, stripping, sanitary duty and circulation.

#### Agriculture:

surface irrigation; liquid manure oxygenation; transfer and spraying liquid manure or fertilizers; distribution of liquid animal feed; transfer of wine must; washing.

### Product Data

Suction port

**Threaded - 4" ISO 228 (BSP)**

Delivery port

**Threaded - 4" ISO 228 (BSP)**

Qmax

**170 m<sup>3</sup>/h - 2833 l/min (748 USgpm)**

Hmax

**57 m (187 ft)**

Solids handling

**38 mm (1,5")**

Weight

**172 kg (379 lb)**

EX version



Pump with dedicated code, including thermowell predisposition for temperature sensor and glass oiler for mechanical seal quench fluid, according to **ATEX 2014/34/EU**.

### Benefits

#### 1) Rapid self-priming

Without foot valve up to a height of 7.5 m (24.5 ft)

#### 2) High resistance

To abrasive liquids which are turbid and sandy

#### 3) Semi-open impeller

High thickness casting impact resistant

#### 4) Wear plate/plates

Easily replaceable cast iron wear plate/plates

#### 5) Easy inspection and cleaning

Removable front covers for access to the impeller

Varisco S.r.l. has certified its Quality, Environment and Safety Management System in accordance with the requirements of the international standard ISO 9001-14001-45001, recognized by the Lloyd Register.

Specification is subject to change without prior notice. Please check with your Varisco representative for the latest specifications.

Document release date: February 15<sup>th</sup> 2024

# JS 4-316 G11



## PERFORMANCE CURVES

Test according to **UNI EN ISO 9906 standard - level 2B**

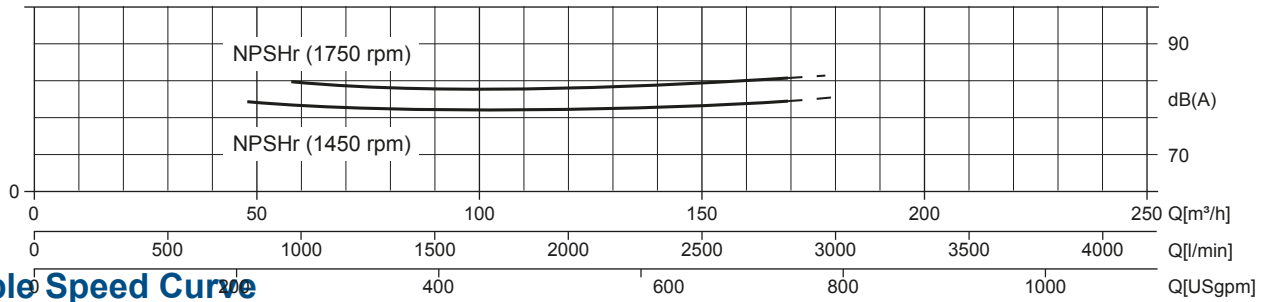
Installed power: **18,5 kW - 25 HP (1.450 rpm)**

Test liquid: **clean water, density 1.000 kg/m<sup>3</sup>**

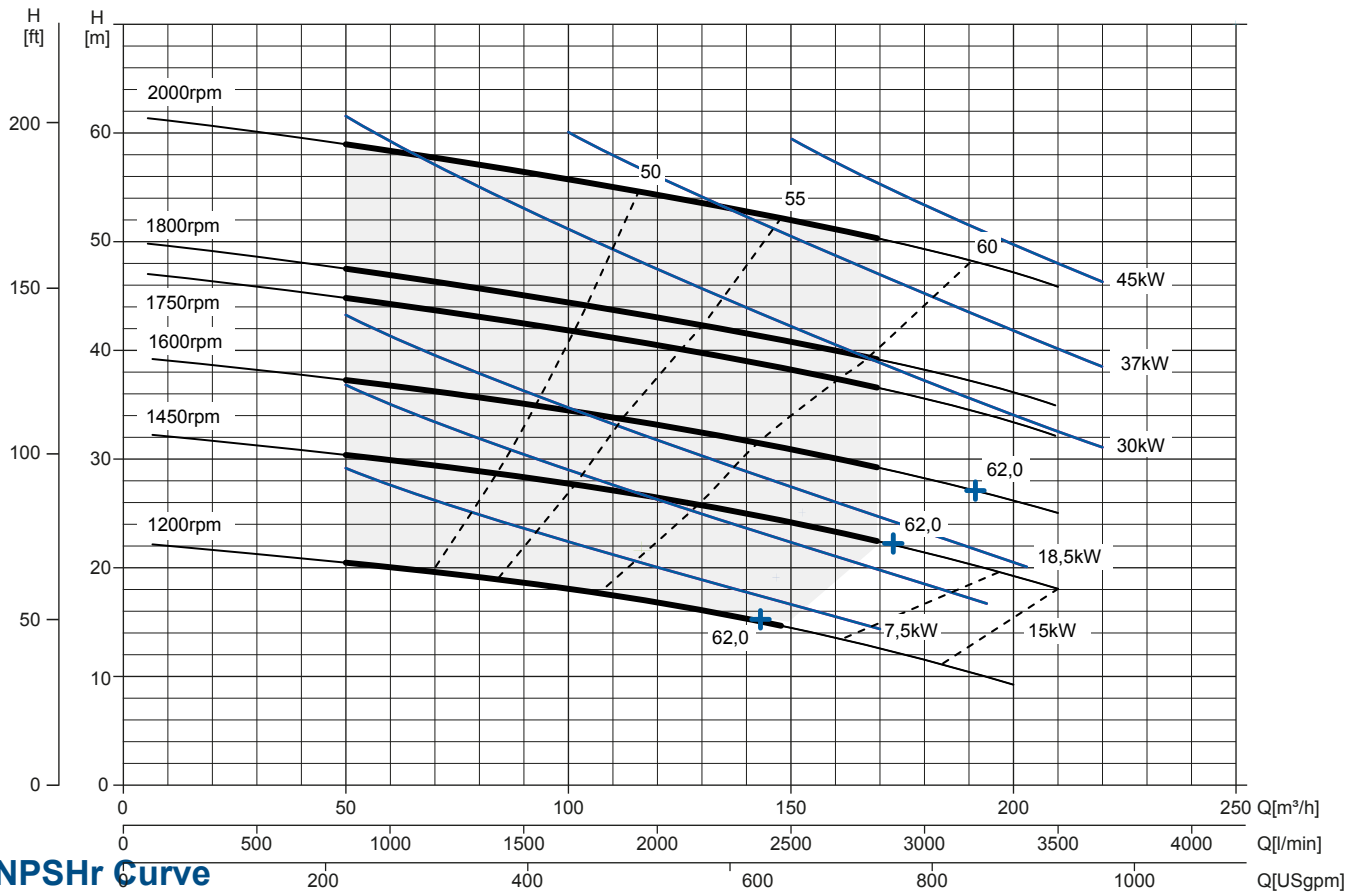
Spherical solids handling: **D.38 mm (1,5")**

### Noise Curve

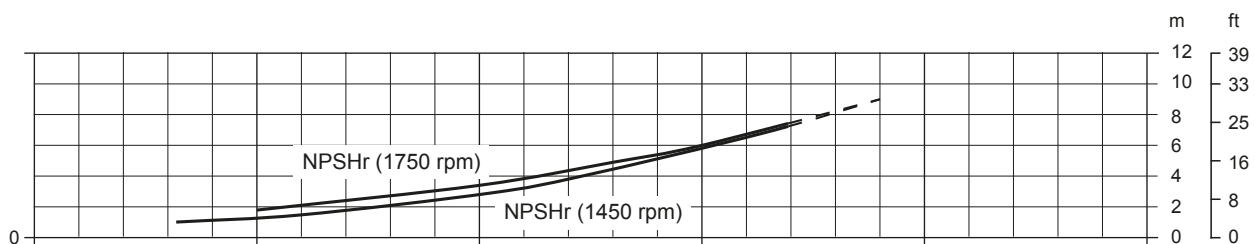
dB(A)=max noise level at 1 m



### Multiple Speed Curve



### NPSHr Curve



# JS 4-316 G11

## TECHNICAL DATA

### Pump

Pump model	JS 4-316 G11
Qmax [2.000 rpm]	170 m <sup>3</sup> /h - 2833 l/min (748 USgpm)
Hmax [2.000 rpm]	57 m (187 ft)
Suction port	Threaded - 4" ISO 228 (BSP)
Delivery port	Threaded - 4" ISO 228 (BSP)
Impeller type	Semi-open, 4 vanes
Solids handling	38 mm (1,5")
Casing	EN 1563 EN-GJS-500 cast iron
Impeller	EN 1563 EN-GJS-500 cast iron
Wear plate	EN 1561 EN-GJL-200 cast iron gommata
Non-return valve	check-valve, NBR
Shaft	39NiCrMo3 EN 10083-3 steel
Mechanical seal	Silicon carbide / Silicon carbide
Elastomers	NBR
Lubrication	Grease
Bearing bracket	EN 1561 EN-GJL-200 cast iron, with grease lubricated ball bearings

### Arrangement

Model	Bare shaft
Dimensions (L x W x H)*	896 x 531 x 585 mm (35,3 x 20,9 x 23")
Coating	Polyurethane enamel, average thickness of 100 µm
Color	RAL 5010 blue (standard)
Height connection	0,45 m (1,5 ft)

\*without flanged ports

### Optionals

Flanged ports DN100 PN16 EN1092-2 Type B	Complete pump set code available on request
Flanged ports 4" ANSI B16.1 Class 125 R.F.	Complete pump set code available on request
Automatic mechanical seal greaser	Code: 10008316
Thermocouple temperature sensor for ATEX pump	TC - Range temperature from 0 up to 300°C
Temperature sensors for ATEX pump	PT100 - Range temperature from 0 up to 300°C

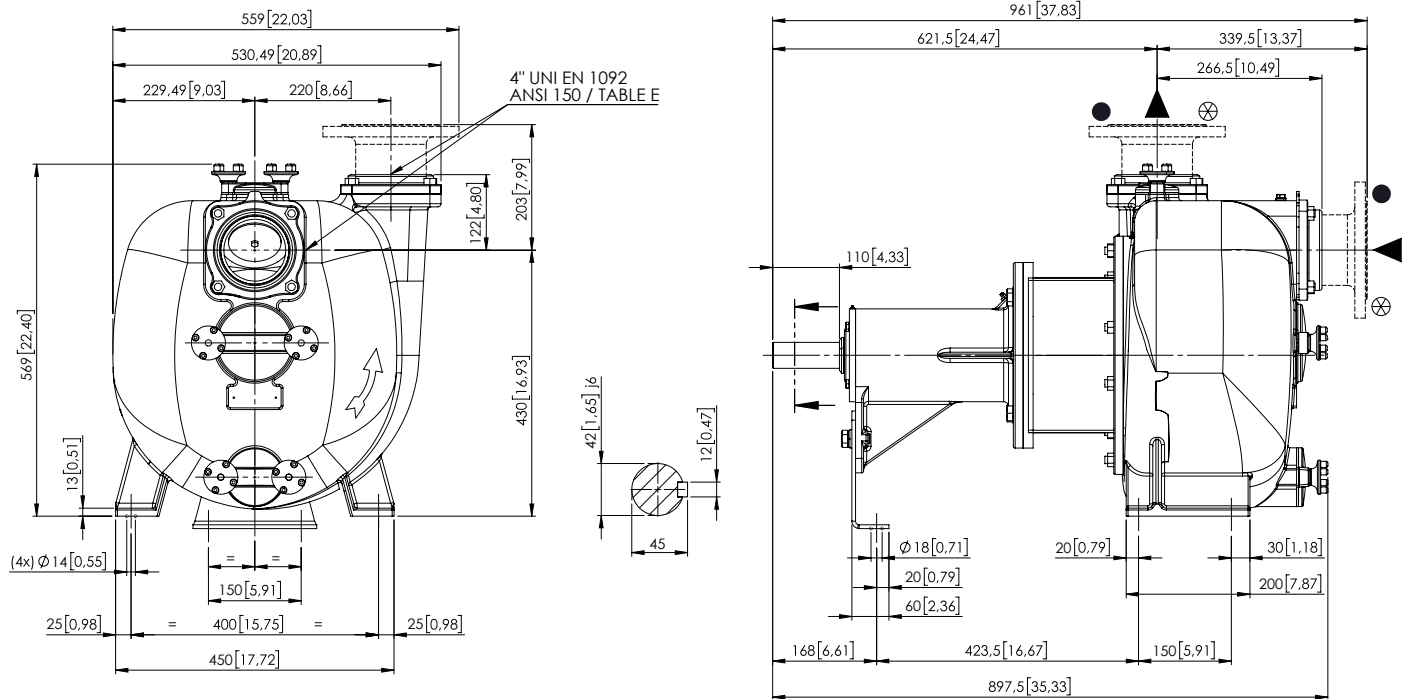
### Weight

Net weight	172 kg (379 lb)
Gross weight (pump + packing)	192 kg (423 lb)

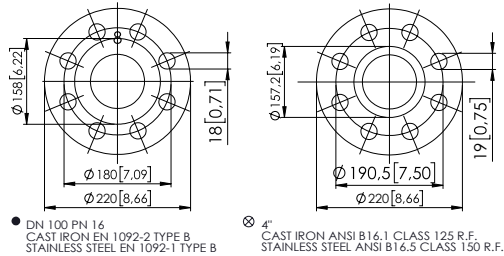
# JS 4-316 G11

## DIMENSIONS

mm [in]



FLANGIATURA SU RICHIESTA / FLANGES ON REQUEST



● DN 100 PN 16  
CAST IRON EN 1092-2 TYPE B  
STAINLESS STEEL EN 1092-1 TYPE B

⊗ 4"  
CAST IRON ANSI B16.1 CLASS 125 R.F.  
STAINLESS STEEL ANSI B16.5 CLASS 150 R.F.

## PACKAGING DIMENSIONS

### Dimensions

JS 4-316 G11 (L x W x H)

1000 x 800 x 830 mm

Gross weight (pump + packing)

192 kg (423 lb)

